



DIP CRYSTAL UNITS

◆ DIP HC-49S Crystal



This part is a miniature AT cut strip
crystal units with a low profile package.
It is with resistance weld.

FEATURES

- Low Cost
- Industry Standard
- Wide Frequency Range
- Excellent Aging

◆ 标准规格 Electrical Specifications

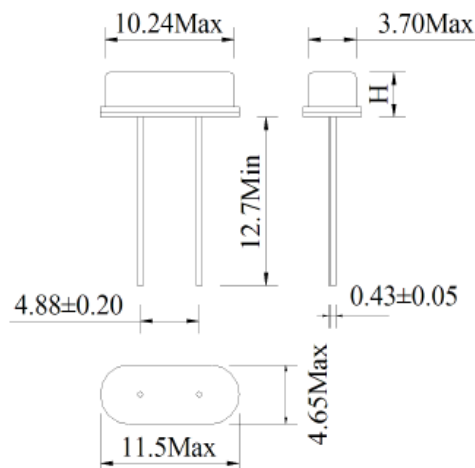
Item	Type	HC-49S
标准频率Frequency Range	F0	3.2MHz~66.000MHz
负载电容Load Capacitance	CL	10pF to Series
调整频差Frequency Tolerance $\Delta F/F0$		$\pm 10\text{ppm}, \pm 20\text{ppm} \pm 30\text{ppm} \pm, 50\text{ppm} (\text{At } 25^\circ\text{C})$
等效电阻Equivalent Series Resistance ESR		See Table 1
温度频差Temperature Stability TC		$\pm 10\text{ppm}, \pm 30\text{ppm}, \pm 50\text{ppm} (\text{Rsfcr to } 25^\circ\text{C})$
工作温度Operating Temperature Range		$-20 \sim +70^\circ\text{C}, -40 \sim +85^\circ\text{C}$ Option
贮存温度Storage Temperature Range		$-55 \sim +125^\circ\text{C}$
静态电容Shunt Capacitance C_0		7pF max.
绝缘电阻Insulator Resistance IR		500M Ω min. (At 100VDC)
激励功率Drive level DL		100 μW (500 μW max)
年老化率Aging Fa		$\pm 5\text{ppm}$ max. (AT25 $^\circ\text{C}$, First year)
最小包装Packing Unit		200pcs/bag

◆ 等效电阻 Table 1: Equivalent Series Resistance (ESR) and Mode of Vibration (Mode)

Frequency Range (MHz)	Max ESR (Ω)	Mode	Frequency Range (MHz)	Max ESR (Ω)	Mode
3.200 to 4.499	150	Fundamental/AT	9.000 to 9.999	60	Fundamental/AT
4.500 to 5.999	120	Fundamental/AT	10.000 to 12.999	50	Fundamental/AT
6.000 to 6.999	100	Fundamental/AT	13.000 to 29.999	40	Fundamental/AT
7.000 to 7.999	90	Fundamental/AT	30.000 to 48.000	30	Fundamental/AT
8.000 to 8.999	80	Fundamental/AT	30.000 to 66.000	80	3rd Overtone

**Please contact us for inquiries regarding other Specifications

◆ 外型尺寸 Mechanical Dimensions (mm)

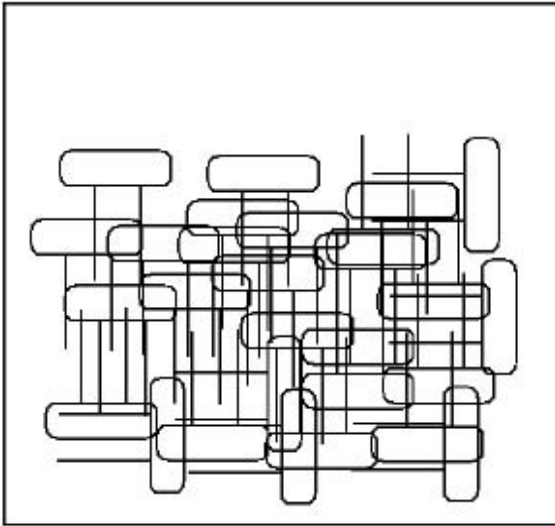


H (mm)
3.5
3.0
2.5
2.0

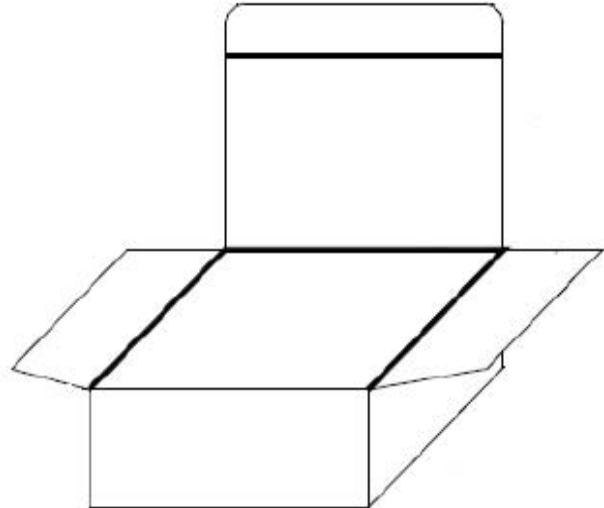


DIP CRYSTAL UNITS

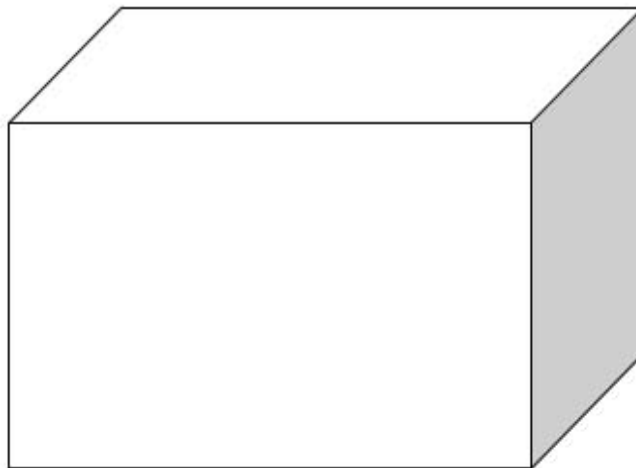
■ 包装Packing



200pcs/Bag (200只/袋)



10Bag(2000pcs)/Box (10袋/小盒)



10Box(20000pcs)/Outer Box (10盒/箱)