



◆ SMD5032A Series 5.0*3.2 Seam Sealing Crystal



FEAYURES

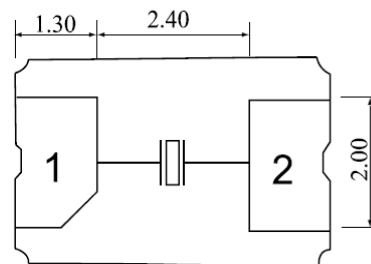
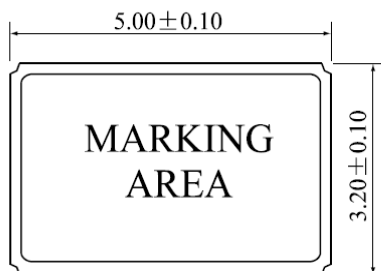
- Compact and thin (5.0*3.2*1.40mm max)
- Suitable for various applications
- Primary solution for DIP type crystal design looking to consider a switch to SMD type
- ROHS compliant

◆ 标准规格Electrical Specifici

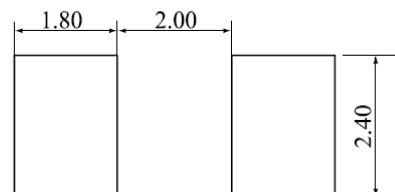
Item	Type	SMD5032A				
频率范围 Frequency Range (Fo)		8-9.999MHz	10-11.999MHz	12-23.999MHz	24-54.000MHz	48-80.000MHz
振动模式 Mode of Vibration		Fundamental				3RD
负载电容 Load Capacitance (CL)		10pF to Series				
调整频差 Frequency Tolerance $\Delta F/F_0$		$\pm 10\text{ppm}, \pm 20\text{ppm}, \pm 30\text{ppm}, \pm 50\text{ppm}(\text{At } 25^\circ\text{C})$				
等效电阻 Equivalent Series Resistance ES		120 Ω max	80 Ω max	50 Ω max	30 Ω max	70 Ω max
温度频差 Temperature Stability (TC)		$\pm 10\text{ppm}, \pm 20\text{ppm}, \pm 30\text{ppm}, \pm 50\text{ppm}(\text{At } 25^\circ\text{C})$				
工作温度 Operating Temperature Range		-20~+70 $^\circ\text{C}$, -40~+85 $^\circ\text{C}$ Option				
贮存温度 Storage Temperature Range		-55~+125 $^\circ\text{C}$				
静态电容 Shunt Capacitance (Co)		7pF max.				
绝缘电阻 Insulator Resistance (IR)		500M Ω min.(At 100VDC)				
激励功率 Drive level (DL)		100 μW (300 μW max)				
老化率 Aging (Fa)		$\pm 5\text{ppm}$ max.(At 25 $^\circ\text{C}$, First year)				
最小包装 Packing Unit		1000pcs/reel				

**Please contact us for inquiries regarding other Specificatinos

◆ 外型尺寸Mechanical Dimensions(mm)

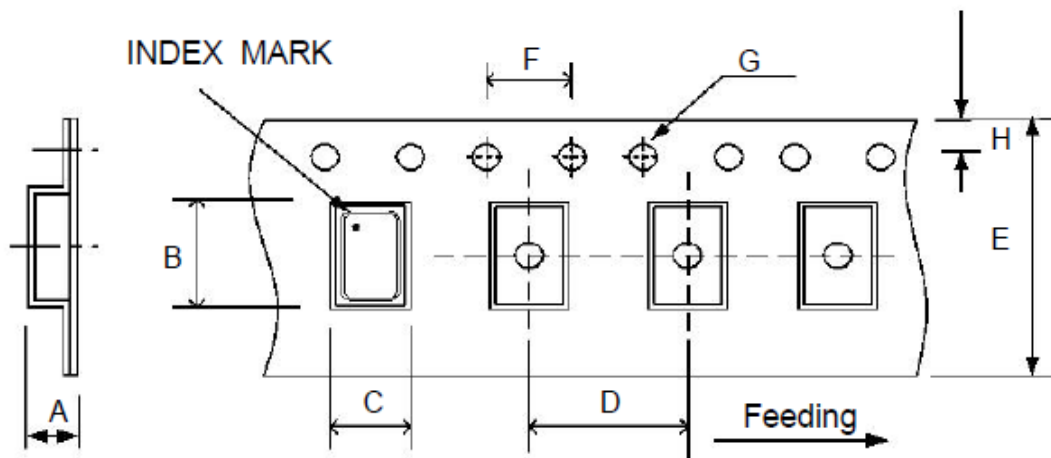


Recommended Solder Pattern



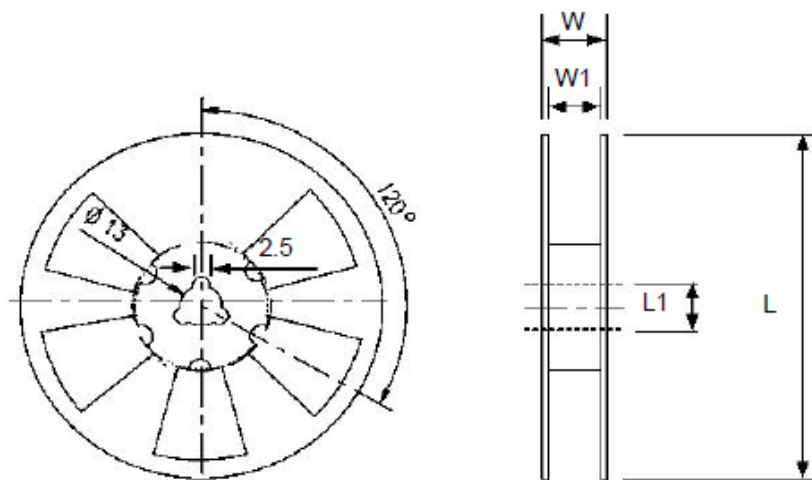
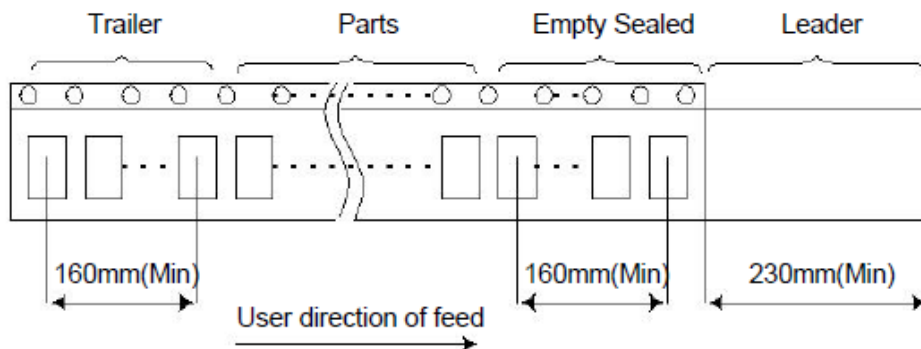


PACKING : (EIA-481-2)



DIMENSIONS	A	B	C	D	E	F	G	H	(UNIT : mm)
	1.50	5.40	3.60	8.00	12.00	4.00	1.50	1.75	

REMARK :



DIMENSIONS	L	L1	W	W1	pcs / Reel (UNIT : mm)
	178	13.5	15.5	13.5	Standard Reel Quantity is 1,000 pcs per reel