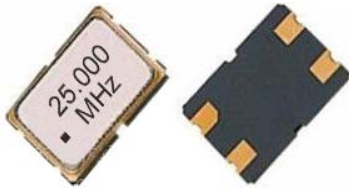




## ◆OSC3225 Seam Sealing Crystal



### FEAYURES

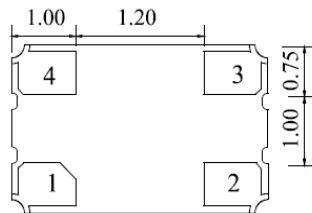
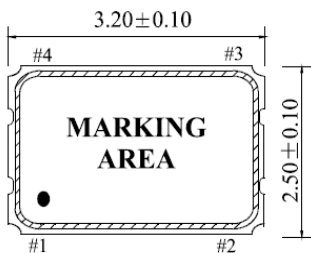
- Tri-State Enable/Disable
- TTL/HCMOS compatible
- Home security devices, networking, and base station applications
- 5V, 3.3V, 2.5V, 1.8V option
- 3.2\*2.5\*1.2 Miniature Package

### ◆标准规格Electrical Specifications

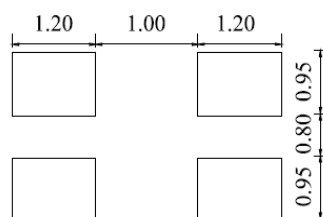
parameter	Condition	OSC3225			
		1~54MHz	1~125MHz		
标准频率Frequency Range $F_0$		1~54MHz	1~125MHz		
调整频差Frequency Stability *	All Condiyion	±20ppm, ±50ppm ±100ppm			
工作温度Operating Temperature Range		-20°C~+70°C (-40°C~+85°C option)			
贮存温度Storage Temperature Range		-55°C~+125°C			
工作电压Power suppl Voltage $V_{DD}$		5.0V+/-10%	3.3V+/-10%	2.5V+/-10%	1.8V+/-10%
输入电流 Supply Current $I_{DD}$	1.000MHz - 9.999MHz	15mA Max	8ma Max	7mA Max	6mA MaX
	10.000MHz - 34.999MHz	20mA Max	10mA Max	8mA Max	7mA Max
	35.000MHz - 49.999MHz	35mA Max	25mA Max	20mA Max	15mA Max
	50.000MHz - 54.000MHz	40mA Max	35mA Max	30mA Max	25mA Max
占空比Duty Cycle	At 1/2VDD	40/60% (45/55% Option)			
上升时间Rise Time $T_s$	10%VDD~10%VDD	5 nS Max	5 nS Max	6 nS Max	7 nS Max
下降时间Fall Time $T_r$	90%VDD~10%VDD	5nS Max	5 nS Max	6 nS Max	7 nS Max
高低电平Output Voltag $V_{OH}$ $V_{OL}$		90%VDD Min			
		10%VDD Max			
输出负载Output Load HCMOS Load		15PF TYP			
启动时间Start Time $T_s$		10mS Max			
待机电流Standby Current		10uA			
年老化率Aging(First Year)	25°C±3°C	±2ppm Msx			
三态功能 Pin 1, tri-state function		pin 1=H or open....Output active at pin 3			
		pin 1=L.....high impedance at pin 3			
最小包装packing Unit		3000pcs/reel			

\*Include:25°C tolerance, operating temperature range input voltage change, aging, load ,change shock and vibration

### ◆外型尺寸Mechanical Dimensions(mm)



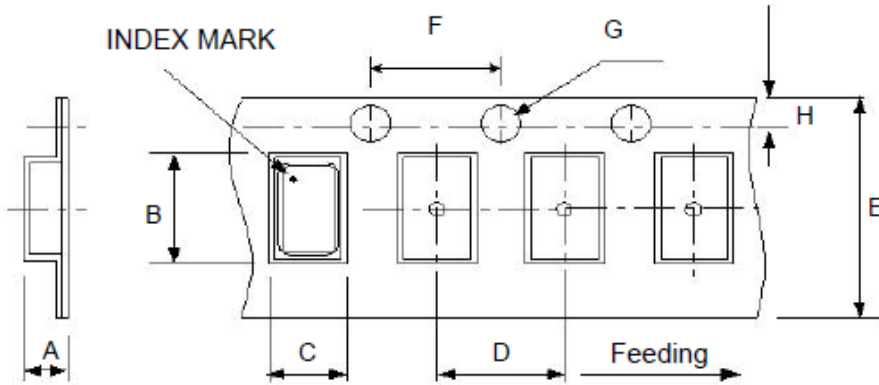
Recommended Solder Pattern



Pin	Connction
#1	Tri-State
#2	GND
#3	Output
#4	VDD

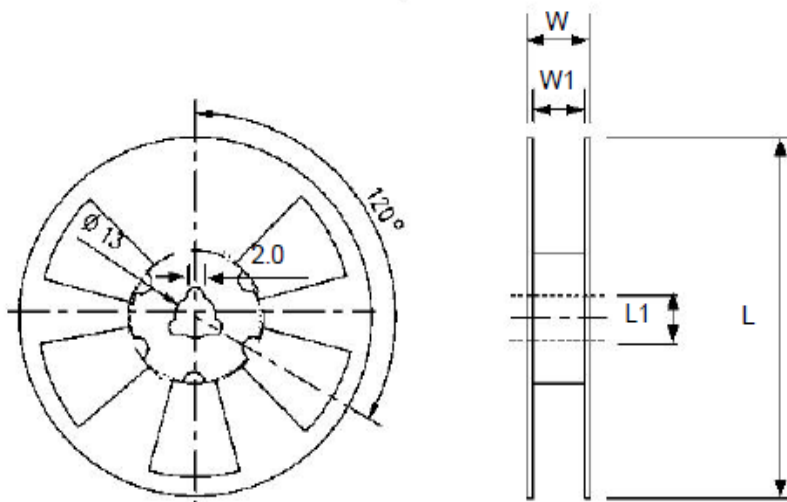
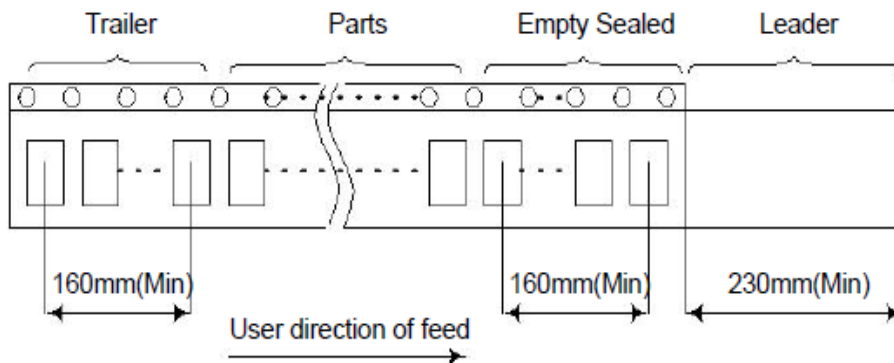


### ■ 包装 Packing



DIMENSIONS	A	B	C	D	E	F	G	H	(UNIT : mm)
	1.30	3.40	2.70	4.00	8.00	4.00	1.50	1.50	

REMARK :



DIMENSIONS	L	L1	W	W1	pcs / Reel (UNIT : mm)
	178	13	11.5	8	Standard Reel Quantity is 3,000 pcs per reel